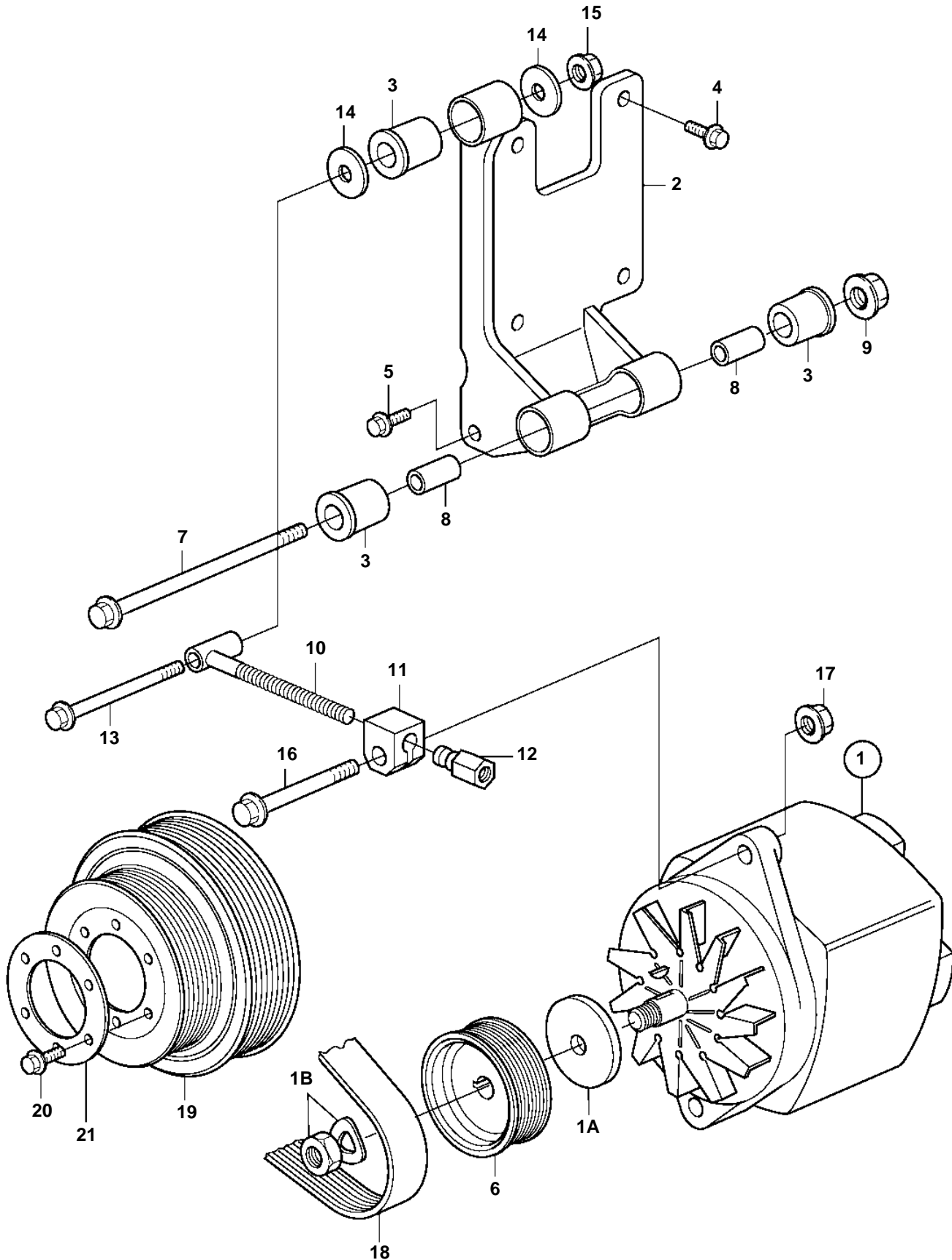


D12D-A MH, D12D-B MH, D12D-C MH, D12C-A MP, D12D-A MP, D12D-B MP, D12D-C MP, D12D-D MP



D12D-A MH, D12D-B MH, D12D-C MH, D12C-A MP, D12D-A MP, D12D-B MP, D12D-C MP, D12D-D MP

REF	PART NO.	QTY	DESCRIPTION	SEE SEC.
1	849747	1	Alternator	
	3803577	1	Alternator, exch	
				594
1A		1	· Spacer washer	
1B		1	· Connector kit	
2	3827103	1	Bracket	
3	865362	3	Rubber bushing	
4	945444	4	Flange screw	
5	965182	1	Flange screw	
6	3827102	1	Pulley	
7	979935	1	Flange screw	
8	846903	2	Spacer sleeve	
9	971096	1	Flange nut	
10	3036795	1	Tensioning screw	
11	3036796	1	Tension block	
12	3036797	1	Collet	
13	965196	1	Flange screw	
14	960145	3	Washer	
15	971096	1	Flange nut	
16	965188	1	Flange screw	
17	971095	1	Flange nut	
18	978217	1	V-ribbed belt	
19	1546482	1	Pulley	
20	945444	6	Flange screw	
21	3979500	1	Washer	